

Signet 9900 Relay Module Instruction Sheet



3-9900.093 Rev.3 12/18 English

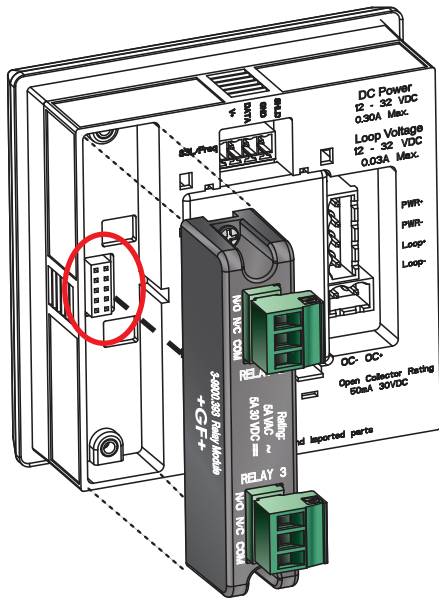


The optional Relay Module adds two programmable dry-contact relays. The open collector output in the 9900 base unit uses the Relay 1 setting. The optional Relay Module is assigned to relays 2 and 3 in the menus.



- [English](#)
- [Deutsch](#)
- [Français](#)
- [Español](#)
- [Italiano](#)
- [中文](#)

NOTE: Relay Module is **not** functional when using loop power.



Panel Mount Only
Relay Module is not available
for Field Mount units.

The plug-in Relay Module may be installed either before or after the base unit is installed in the wall mount enclosure.

The Relay Module plugs in and attaches with two screws.

1. It may be helpful to use a standard screwdriver to gently pry removable terminals away from the receptacle on the module.
2. Remove terminals from the module receptacle prior to installation.



CAUTION: Exercise care when installing module.

Do not bend connecting pins.

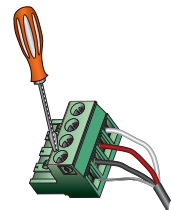
Align pins and connectors then push module firmly into place, then attach with screw.

Avoid Electrostatic Discharge (ESD):

- Minimize handling of module to reduce the possibility of damage due to ESD.
- Handle module by the edges. Never touch any exposed circuitry or contacts.
- Wear an anti-static wristband or stand on an anti-static mat, or keep one hand touching a properly grounded pipe or other properly grounded piece of metal when handling module.

Mfr. Part No.	Code	Description
3-9900.393	159 001 698	Relay Module - 2 DCR
6682-1103	159 001 711	Relay Module Plug, 3 Pos, Right Angle

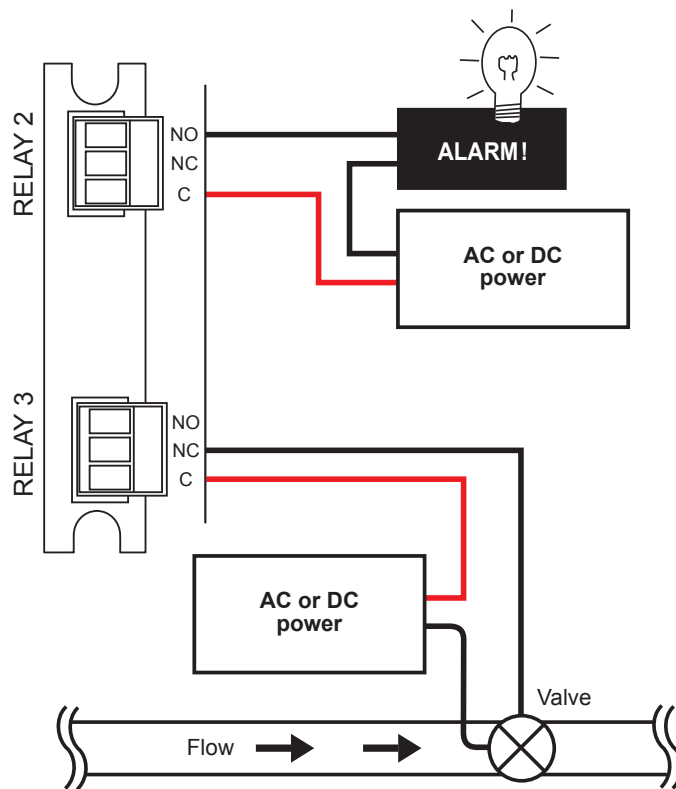
- The red LED relay status indicators on the front panel of the 9900 are hardwired to relays 2 and 3.
- Hysteresis and time delay are adjustable for each individual relay.
- Terminals accept 12 to 24 AWG wire.
- Strip 10 to 12 mm (0.4 to 0.5 in.) of insulation from wire tips and tin bare ends to eliminate fraying.
- Insert wire tip or ferrule completely into the terminal and secure with the screw.
- Do not allow any AC leads that may be connected to the internal relays to come in contact with low voltage wiring.



CAUTION: Switching active loads (most commonly inductive) can cause contact arcing sufficient to damage the relays. The RC Filter Kit or “snubber” (part number 3-8050.396) is available as an accessory to reduce or eliminate these damaging effects.

The alarm is OFF during normal operation, and will go ON when relay energizes according to 9900 Relay settings. (See 9900 Manual for details and settings.)

The valve is ON during normal operation, and will go OFF when relay energizes according to 9900 Relay settings. (See 9900 Manual for details and settings.)



NO = normally open (closes when energized)
 NC = normally closed (opens when energized)