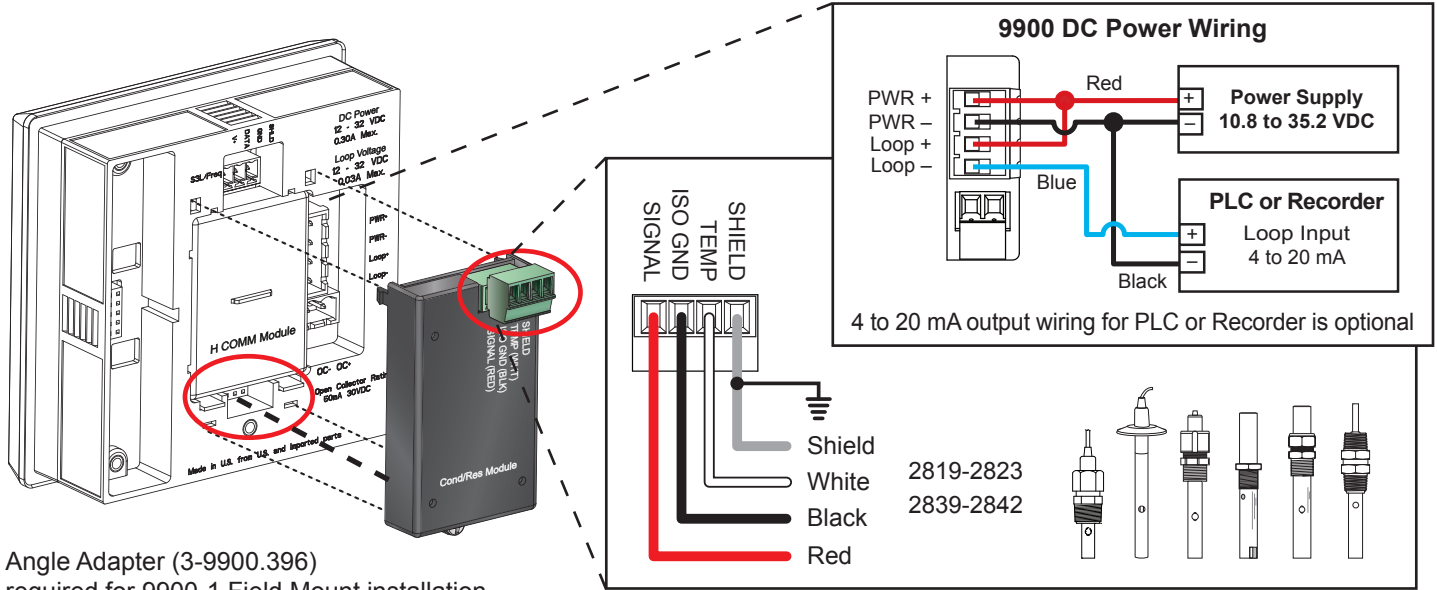


Signet 9900 Direct Conductivity/Resistivity Module Instruction Sheet

3-9900.092 Rev. 4 06/19



To interface a stand-alone conductivity sensor (2819-2823 or 2839-2842) to the 9900, the 3-9900.394 Direct Conductivity Module must be used.



Angle Adapter (3-9900.396) required for 9900-1 Field Mount installation.

Mfr. Part No.	Code	Description
3-9900.394	159 001 669	Direct Conductivity/Resistivity Module
6682-0204	159 001 709	Conductivity Module Plug, 4 Pos, Right Angle



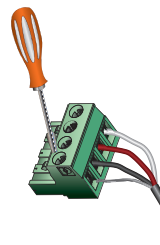
Disconnect power prior to proceeding.

Module Installation

- Signet Conductivity Module cannot operate when using loop power and requires an external DC power supply to be used with the 9900 Transmitter.
 - If the 9900-1P Base Unit will be mounted in a panel, plug-in modules may be installed either before or after the base unit is mounted.
 - If the 9900-1P Base Unit will be mounted using the Wall Mount Accessory Kit (3-9900.392), install plug-in modules first.
1. Remove power from the 9900.
 2. Carefully align pins and connectors. Do not bend connecting pins.
 3. Push module firmly into place, then attach with screw.

Wiring Tips

- Terminals accept 16 to 28 AWG wire.
- Sensor cable length can be extended to 30 m (100 ft). Except 2819 and 2839, limited to 4.6 m (15 ft).
- Do not allow any AC leads that may be connected to the internal relays to come in contact with low voltage wiring.



Avoid Electrostatic Discharge (ESD):

- Minimize handling of module to reduce the possibility of damage due to ESD.
- Handle module by the edges. Never touch any exposed circuitry or contacts.
- Wear an anti-static wristband or stand on an anti-static mat, or keep one hand touching a properly grounded pipe or other properly grounded piece of metal when handling module.



- [English](#)
- [Deutsch](#)
- [Español](#)
- [Français](#)
- [Italiano](#)
- [中文](#)

For more information, please download the full 9900 Transmitter manual at www.gfsignet.com