

## PRIMOFIT - Features

- PRIMOFIT compression fittings are pre-assembled, dismantling is not required
- Minimum pipe preparation
- End-load resistant (push and pull-out), a fixing of the pipe is not required
- Made out of malleable cast iron, with hot dip galvanised or black finish
- Quick assembly - low costs
- No special tools necessary
- Angular deflection of the pipe possible - up to 3° for each PRIMOFIT compression fitting joint. By using a PRIMOFIT coupling (two compression joints) a deflection of max. 6° is possible.
- PRIMOFIT compression joint can be loosened
- Small and compact fitting
- Design of fitting bodies and nuts allow the use of shrink sleeves
- Electric conductive, can be used for cathodic corrosion protection and potential equalisation

## PRIMOFIT Application Gas



Product range see page 7, 11, 15, 17, 19, 25, 29, 33

## PRIMOFIT Application Water



Product range see page 7, 15, 21, 23, 25, 29, 33, 35

## PRIMOFIT Application Heating



Note: Also transitions to butt weld tubes available.



Product range see page 11 and 15

## PRIMOFIT Application Compressed Air



Product range see page 7, 11, 35, 37

## PRIMOFIT as transition for different pipe materials:

steel pipe, butt weld tube ("Siederohr"), lead pipe, PE-pipe and PE-Xa-pipe

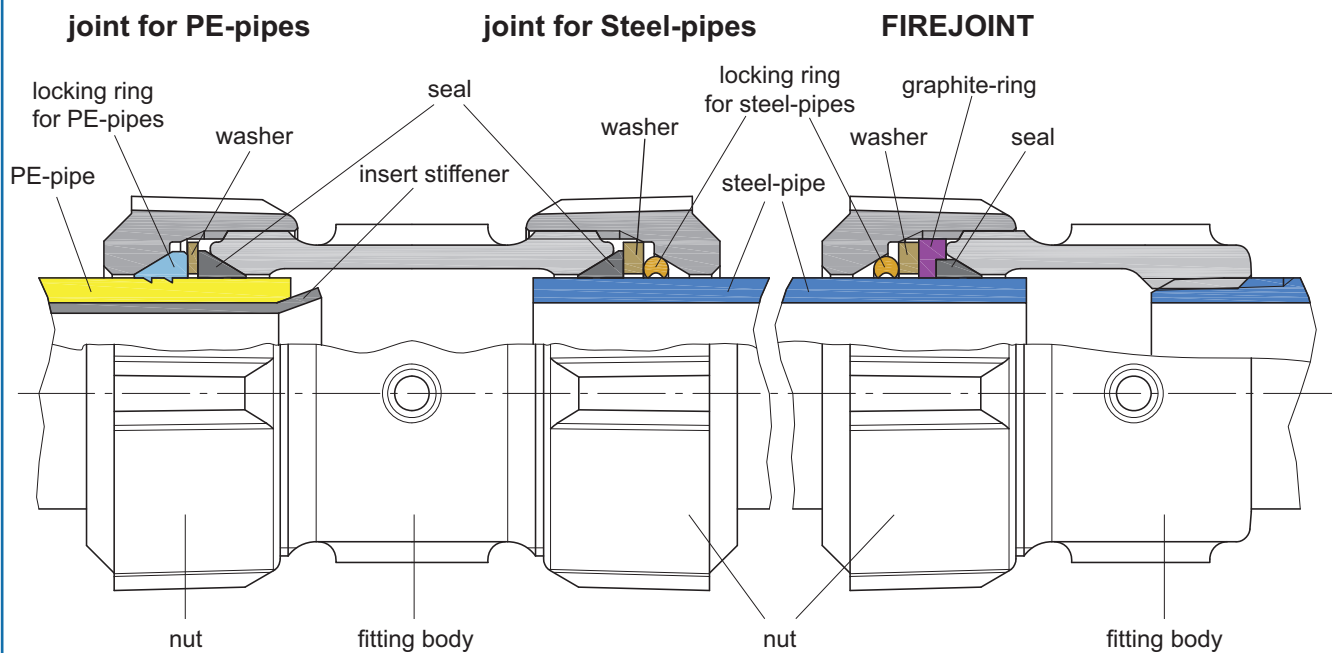


Product range see page 15, 21, 23, 25, 29, 33

**PRIMOFIT fits everywhere – the perfect solution for building technology, utilities and industry**



# The PRIMOFIT-system



## Application chart

	Sealing material	Medium	max. Pressure [bar]	max. Temp. [°C]	Colour Code
Steel-pipe	NBR	Gas	10	70	●
		Water	16	80	
		Compressed air	16	80	
		Oil	16	80	
	EPDM	Water	16	40	●
	FPM	Fuels	10	40	●
	Heating water	10	105		
		Compressed air	16	105	
	NBR+Graphite	Gas	5	70	●
PE-pipe	NBR	Gas	5 / 7 / 8 *	40	●
		Water	16	40	
	EPDM	Water	16	40	●
	FPM	Fuels	10	40	●

\* DVGW/SVGW ... 5 bar, GIS/PL3 (UK) ... 7 bar, GASTEC ... 8 bar

## Overview - coupling dimension, pipe diameters for egal compression fitting bodies and diameter of the minimum bore

Nominal diameter DN		10	15	20	25	32	40	50	65	80	
Fittings dimension		3/8	1/2	3/4	1	1 1/4	1 1/2	2	2 1/2	3	
Nominal outer diameter	Steel pipe	mm	17,2	21,3	26,9	33,7	42,4	48,3	60,3	76,1	88,9
	Tolerance range	mm	16,7 - 17,5	21,0 - 21,8	26,5 - 27,3	33,3 - 34,2	42,0 - 42,9	47,9 - 48,8	59,7 - 60,8	75,3 - 76,6	88,0 - 89,5
	Butt weld tubes *	mm	-	-	-	-	38,0	44,5	57,0	70,0	-
	Tolerance range	mm	-	-	-	-	37,5 - 38,5	44,0 - 45,0	56,4 - 57,6	69,3 - 70,7	-
	PE pipe	mm	-	20	25	32	40	50	63	-	-
	Tolerance range	mm	-	20,0 - 20,3	25,0 - 25,3	32,0 - 32,3	40,0 - 40,4	50,0 - 50,5	63,0 - 63,6	-	-
	Lead pipe	mm	-	18,3 - 21,9	23,9 - 27,4	27,3 - 30,9	36,5 - 37,6	45,8 - 46,9	53,1 - 55,4	-	-
					30,9 - 34,4	39,6 - 43,1	47,5 - 50,7	56,5 - 57,5	60,4 - 63,8		
	Minimum bore**	mm	7,5	11,1	17,8	24,0	31,4	37,1	46,5	61,3	72,8
	Thread size	inch	3/8	1/2	3/4	1	1 1/4	1 1/2	2	2 1/2	3

\* only spare pack available

\*\* complies to the minimum clear bore of the male adapter.

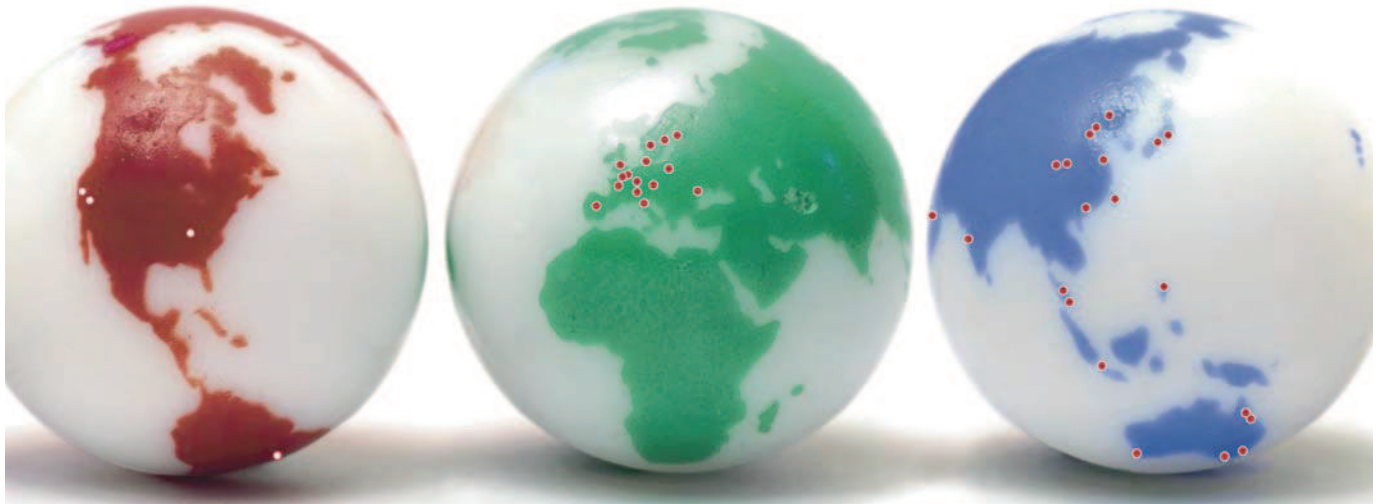
At all other fitting types the inside diameter of the pipe will be the minimum clear bore.

# GF Piping Systems → worldwide at home

Our sales companies and representatives ensure local customer support in the following countries.

[www.piping.georgfischer.com](http://www.piping.georgfischer.com)

[www.fittings.at](http://www.fittings.at)



The technical data are not binding and not expressly warranted characteristics of the goods. They are subject to change. Our General Conditions of Sale apply.

## Adding Quality to People's Lives

### Production / Sales in Austria

Georg Fischer Fittings GmbH  
Mariazeller Strasse 75  
A-3160 Traisen  
Tel. +43(0)2762/90300-371  
Fax +43(0)2762/90300-432  
[fittings.ps@georgfischer.com](mailto:fittings.ps@georgfischer.com)  
[www.fittings.at](http://www.fittings.at)

### Belgium/Luxembourg

Georg Fischer NV/SA  
Vaartdijk 109-111 Digue du Canal  
B-1070 Bruxelles/Brüssel  
Tel. +32(0)2/556 40 20  
Fax +32(0)2/524 34 26  
[be.ps@georgfischer.com](mailto:be.ps@georgfischer.com)  
[www.georgfischer.be](http://www.georgfischer.be)

### Denmark

Georg Fischer A/S  
Malervej 4  
DK-2630 Taastrup  
Tel. +45(0)70 22 19-75  
Fax +45(0)70 22 19-76  
[info.dk.ps@georgfischer.com](mailto:info.dk.ps@georgfischer.com)  
[www.georgfischer.dk](http://www.georgfischer.dk)

### France

Georg Fischer SAS  
Bâtiment Le Rabelais  
Paris Nord 2  
22 Avenue des Nations  
BP 88026 Villepinte  
F-95932 Roissy Charles  
de Gaulle Cedex  
Tel. +33(0)1/41 84 68 84  
Fax +33(0)1/41 84 68 85  
[fr.ps@georgfischer.com](mailto:fr.ps@georgfischer.com)  
[www.georgfischer.fr](http://www.georgfischer.fr)

### Germany

Georg Fischer GmbH  
Daimlerstrasse 6  
D-73095 Albershausen  
Tel. +49(0)7161/302-0  
Fax +49(0)7161/302-259  
[info.de.ps@georgfischer.com](mailto:info.de.ps@georgfischer.com)  
[www.georgfischer.de](http://www.georgfischer.de)

### Italy

Georg Fischer S.p.A.  
Via Sondrio 1  
I-20063 Cernusco S/N (MI)  
Tel. +39(0)2/921 861  
Fax +39(0)2/921 862 47  
[it.ps@georgfischer.com](mailto:it.ps@georgfischer.com)  
[www.georgfischer.it](http://www.georgfischer.it)

### Netherlands

Georg Fischer N.V.  
Lange Veenteweg 19  
NL-8161 PA Epe  
Tel. +31(0)578/678 222  
Fax +31(0)578/621 768  
[nl.ps@georgfischer.com](mailto:nl.ps@georgfischer.com)  
[www.georgfischer.nl](http://www.georgfischer.nl)

### Norway

Georg Fischer AS  
Rudsletta 97  
N-1351 Rud  
Tel. +47(0)67 18 29 00  
Fax +47(0)67 13 92 92  
[no.ps@georgfischer.com](mailto:no.ps@georgfischer.com)  
[www.georgfischer.no](http://www.georgfischer.no)

### Spain

Georg Fischer S.A.  
Paseo de la Castellana 184  
7ª Planta  
E-280046 Madrid  
Tel. +34(0)91/781 98 90  
Fax +34(0)91/426 08 23  
[es.ps@georgfischer.com](mailto:es.ps@georgfischer.com)  
[www.georgfischer.es](http://www.georgfischer.es)

### Sweden

Georg Fischer AB  
Lijeholmsstranden 5  
SE-11743 Stockholm  
Tel. +46(0)8 506 775 00  
Fax +46(0)8 749 237 0  
[info.se.ps@georgfischer.com](mailto:info.se.ps@georgfischer.com)  
[www.georgfischer.se](http://www.georgfischer.se)

### Switzerland

Georg Fischer  
Rohrleitungssysteme (Schweiz) AG  
Ebnatstrasse 101  
CH-8201 Schaffhausen  
Tel. +41(0)52 631 30 26  
Fax +41(0)52 631 28 96  
[ch.ps@georgfischer.com](mailto:ch.ps@georgfischer.com)  
[www.piping.georgfischer.ch](http://www.piping.georgfischer.ch)

### United Kingdom

Georg Fischer Sales Limited  
Paradise Way  
Coventry, CV2 2ST  
Tel. +44(0)2476 535 535  
Fax +44(0)2476 530 450  
[uk.ps@georgfischer.com](mailto:uk.ps@georgfischer.com)  
[www.georgfischer.co.uk](http://www.georgfischer.co.uk)