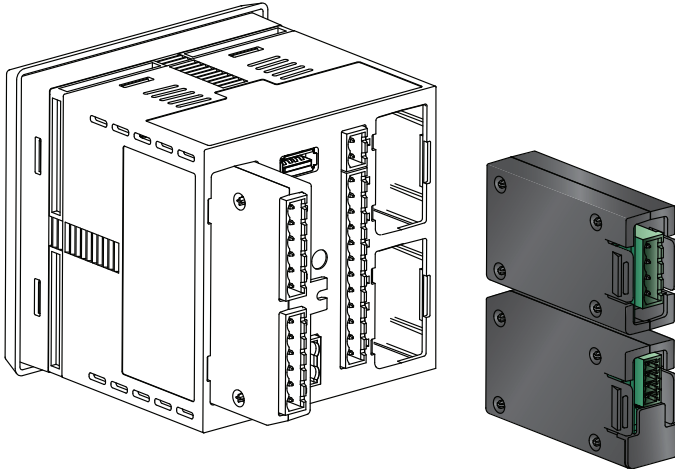


**Description**

The 9950 Transmitter offers two types of module options. 3-9950.394-1 is a Single Channel Direct Conductivity/Resistivity Module, and a 3-9950.398-2 Dual Channel 4 to 20 mA Current Loop Output Module.



The plug-in modules may be installed either before or after the base unit is installed in the customer's application.

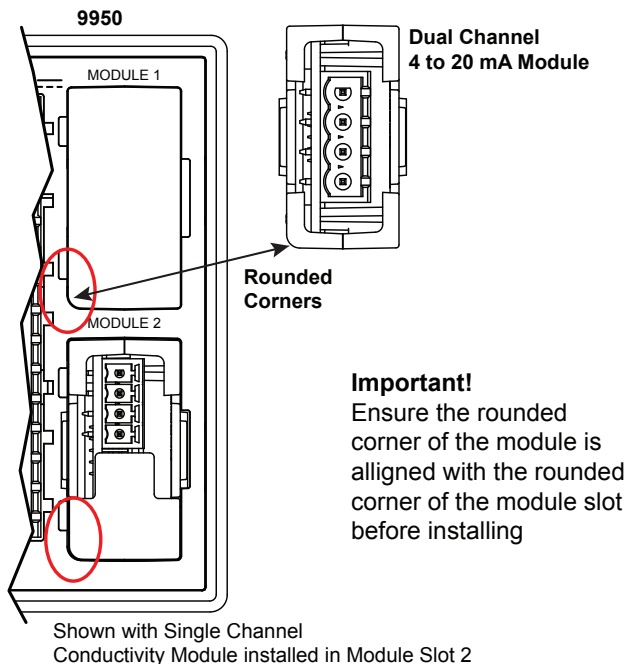
- Always disconnect power from the 9950 Before adding or Removing any modules.
- Modules can be installed in either slot.
- Refer to 9950 Manual for set up and programming.

Conductivity and Dual Channel 4 to 20 mA Module Installation

1. Remove power from the 9950. Carefully align pins and connectors (do not bend connecting pins) and push module firmly into place.

Conductivity and Dual Channel 4 to 20 mA Module Removal

1. Ensure power is disconnected from the 9950.
2. Unplug connectors and squeeze the two retaining tabs while pulling module out of 9950.



Important!
Ensure the rounded corner of the module is aligned with the rounded corner of the module slot before installing

**CAUTION:**

Exercise care when installing or removing module. Do not bend connecting pins.

**Avoid Electrostatic Discharge (ESD):**

- Minimize handling of module to reduce the possibility of damage due to ESD.
- Handle module by the edges. Never touch any exposed circuitry or contacts.
- Wear an anti-static wristband or stand on an anti-static mat, or keep one hand touching a properly grounded pipe or other properly grounded piece of metal when handling module.

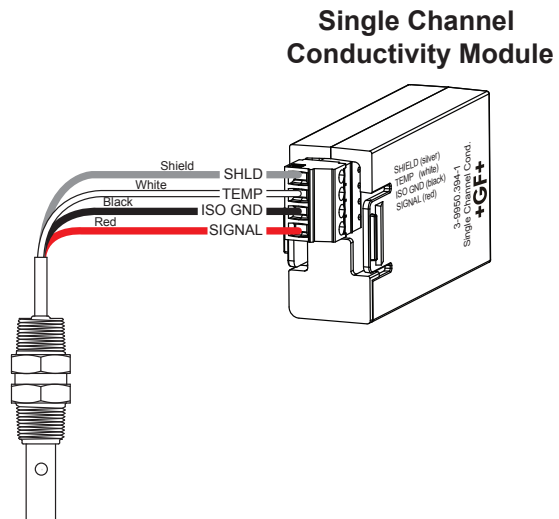
Conductivity Module Wiring

3-9950.394-1

Direct Conductivity Resistivity Module

Compatible with all GF Signet Conductivity Electrodes.
Maximum Conductivity cable length is 30 meters
(100 feet).

For longer distances use the 3-2850 Conductivity
Sensor Electronics. Up to two modules can be installed
in a 9950 Transmitter.

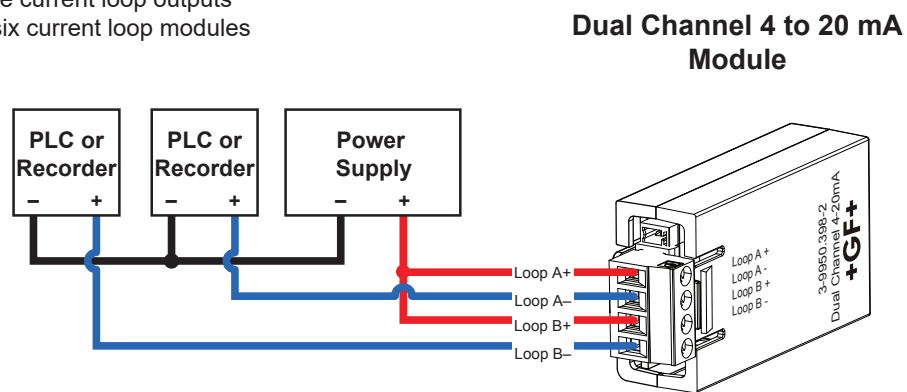


Loop Wiring

3-9950.398-2

Dual Channel 4 to 20 mA Module

Two additional 4 to 20 mA passive current loop outputs
in a single module, allows up to six current loop modules
in the 9950 Transmitter.



Ordering Information

Mfr. Part No.	Code	Description
3-9950.394-1	159 001 846	Single Channel Direct Conductivity/Resistivity Module
3-9950.398-2	159 001 848	Dual Channel 4 to 20 mA Current Loop Output Module



Georg Fischer Signet LLC, 3401 Aero Jet Avenue, El Monte, CA 91731-2882 U.S.A. • Tel. (626) 571-2770 • Fax (626) 573-2057
For Worldwide Sales and Service, visit our website: www.gfsignet.com • Or call (in the U.S.): (800) 854-4090
For the most up-to-date information, please refer to our website at www.gfsignet.com