

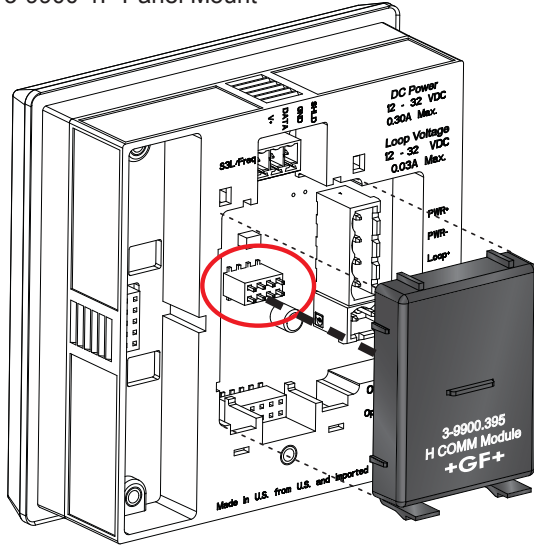
Signet 9900 H COMM Module Instruction Sheet



3-9900.094 Rev. 4 05/18



3-9900-1P Panel Mount



- [English](#)
- [Deutsch](#)
- [Français](#)
- [Español](#)
- [Italiano](#)
- [Português](#)
- [中文](#)

For complete product information, please download the full 9900 Transmitter manual at www.gfsignet.com

The H COMM Module enables communication between the 9900 and a HART®-enabled device. The HART (Highway Addressable Remote Transducer) Protocol superimposes digital signals on top of the 4 to 20 mA analog signal.

NOTE: With H COMM Module installed, a minimum of 24 V is required for loop-powered systems.

Installation

If the 9900 Base Unit will be mounted in a panel, plug-in modules may be installed either before or after the base unit is mounted.

If the 9900 Base Unit will be mounted using the accessory wall mount kit (3-9900.392), install plug-in modules first.

If the Direct Conductivity/Resistivity Module or the 4 to 20 mA Output Module will be included in your unit, install the HCOMM module first, then install the other module over the H COMM module

To install the H COMM module, carefully align the module pins into its plug (see illustration) and push the module straight in until the tabs on the bottom edge snap into place.

To uninstall, squeeze tabs, grasp the module and pull straight out.

Wiring



CAUTION

Exercise care when installing module.

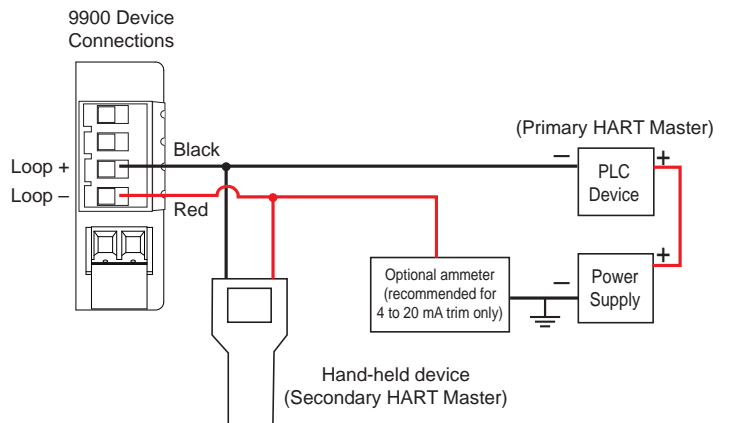
Do not bend connecting pins. Align pins and connectors then push module firmly into place.



Avoid Electrostatic Discharge (ESD)

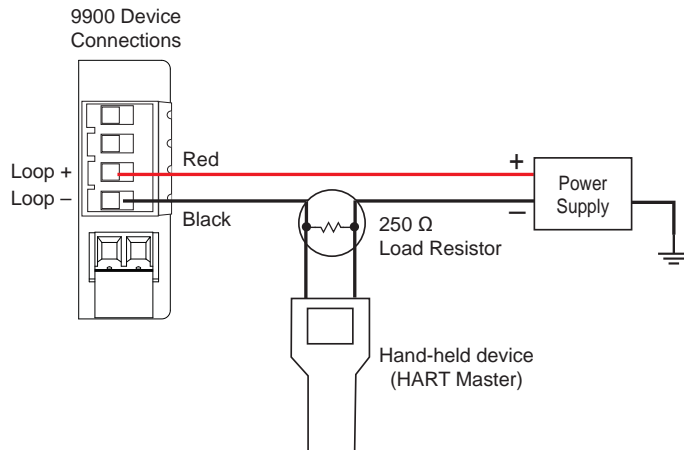
- Minimize handling of module to reduce the possibility of damage due to ESD.
- Handle module by the edges.
- Never touch any exposed circuitry or contacts.
- Wear an anti-static wristband, stand on an anti-static mat, or keep one hand touching a properly grounded pipe or other properly grounded piece of metal when handling module.

Connecting HART with a Loop-powered sensor

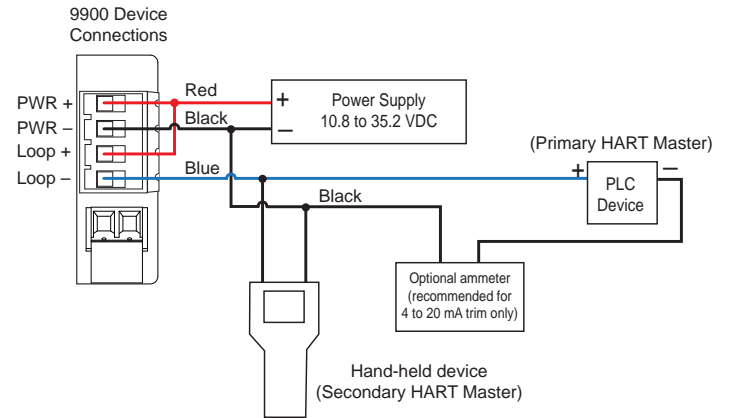


Wiring continued

Connecting HART to a Hand-Held Master Device



Connecting HART to 9900 External Power



Ordering Information

Mfr. Part No.	Code	Description
3-9900.395	159 001 697	H COMM Module



HART® is a registered trademark of the HART Communication Foundation, Austin, Texas, USA. Any use of the term HART hereafter in this document implies the registered trademark.



Georg Fischer Signet LLC, 3401 Aero Jet Avenue, El Monte, CA 91731-2882 U.S.A. • Tel. (626) 571-2770 • Fax (626) 573-2057
 For Worldwide Sales and Service, visit our website: www.gfsignet.com • or call (in the U.S.): (800) 854-4090
 For the most up-to-date information, please refer to our website at www.gfsignet.com