

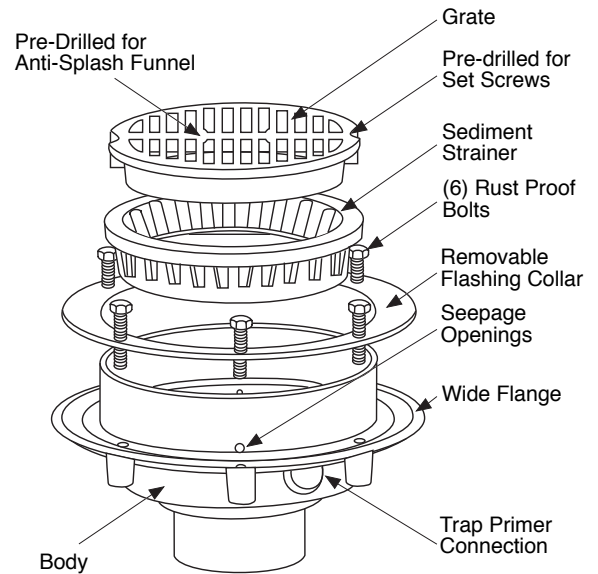
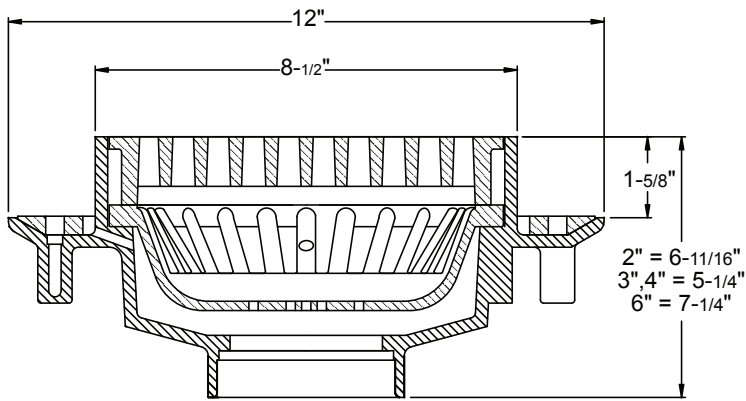
GF Piping Systems

Corrosive Waste Piping System
 Specification Submittal Data Sheet
 Fuseal Floor Drain

Floor Drain

Fixed height, moderate traffic floor drain with 8" diameter grate, sediment strainer with removable flashing collar that is manufactured from flame retardant (FR) polypropylene material conforming to ASTM D4101. The maximum flow rate is 44 GPM at 2" water level. The average failure load for the grate is 3,300 pounds with a maximum live load of 825 pounds. A boss is provided on the body of the drain which can be drilled and tapped to accept a primer line up to 1/2" NPT.

- 2" PPFR Sch.40 Molded Floor Drain
- 3" PPFR Sch.40 Molded Floor Drain
- 4" PPFR Sch.40 Molded Floor Drain
- 6" PPFR Sch.40 Molded Floor Drain
- Anti-Splash Funnel



Job Name: _____

Job Location: _____

Engineer: _____

Contractor: _____

Representative: _____

^ = 40% Restock Charge
 * = Non-Cancelable/Non-Returnable