

GF Piping Systems

Corrosive Waste Piping System

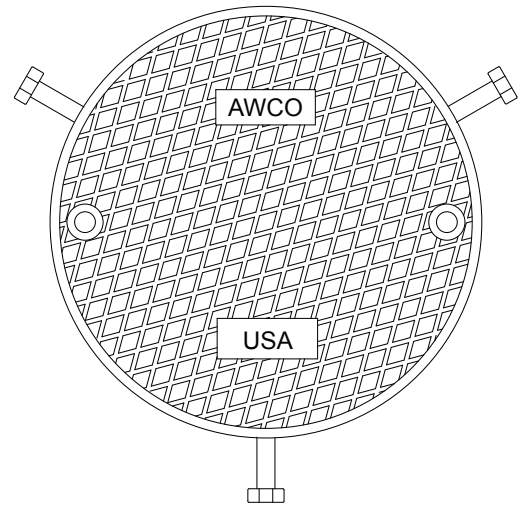
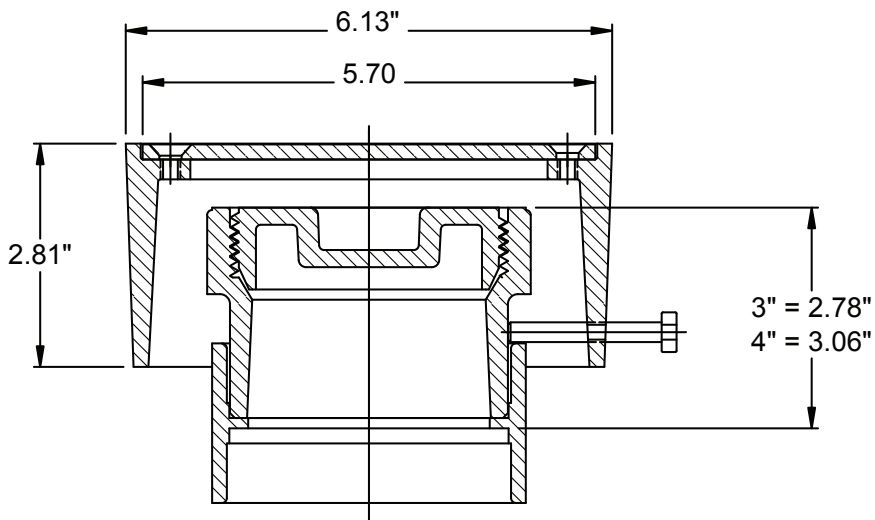
Specification Submittal Data Sheet

Fuseal Nickel Bronze Floor Cleanout

Floor Cleanout

Corrosion-resistant finished floor cleanout is manufactured from flame retardant (FR) polypropylene material conforming to ASTM D4101. The assembly includes a molded cleanout, countersunk plug, an adjustable access housing and removable cover. The housing has approximately 2" of adjustment. The access housing and cover are cast from 12% nickel bronze. AWCO (Acid Waste Cleanout) and USA are cast on the top cover.

- Nickel Bronze Housing and Cover
- 3" PPFR Sch.40 Molded with Nickel Bronze Housing and Cover
- 4" PPFR Sch.40 Molded with Nickel Bronze Housing and Cover



Job Name: _____

Job Location: _____

Engineer: _____

Contractor: _____

Representative: _____

^ = 40% Restock Charge

* = Non-Cancelable/Non-Returnable

+GF+